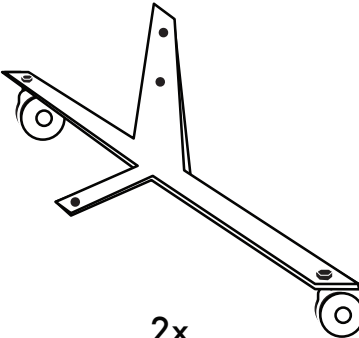



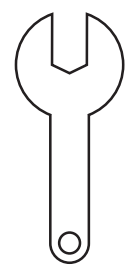
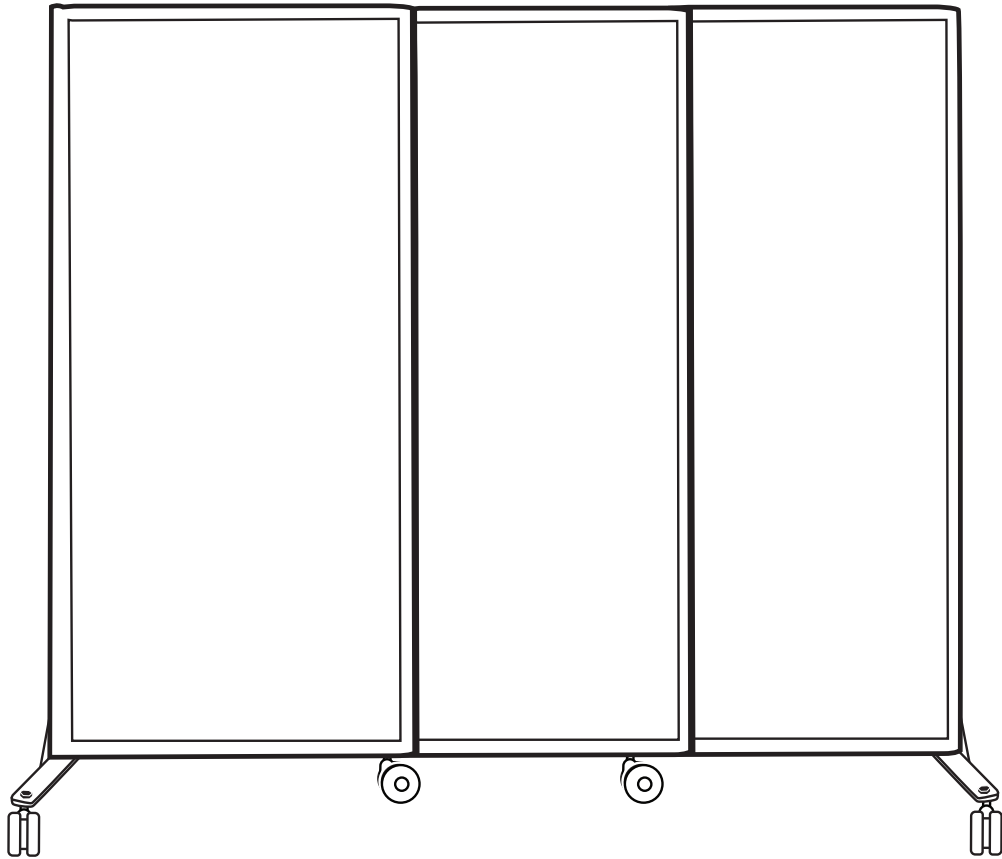
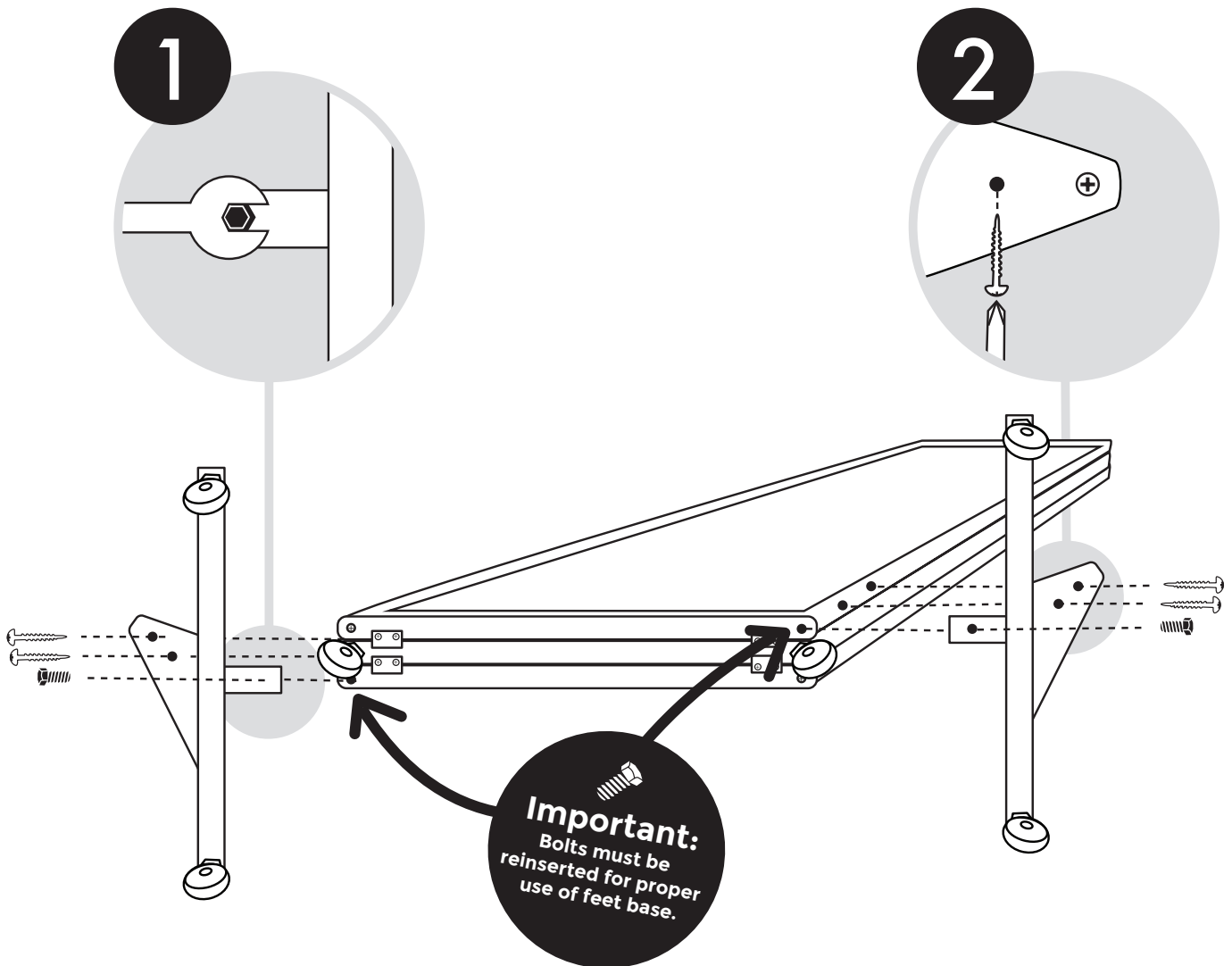


QUICK-WALL (Sliding)

 <p>* Screws & bolts arrive attached to partition.</p>   <p>2x 4x 2x</p>	  <p>9/16"</p>
<p>Parts Included</p>	<p>Recommended Tools</p>



Remove two bolts. Then attach feet base with bolts first, screws second.

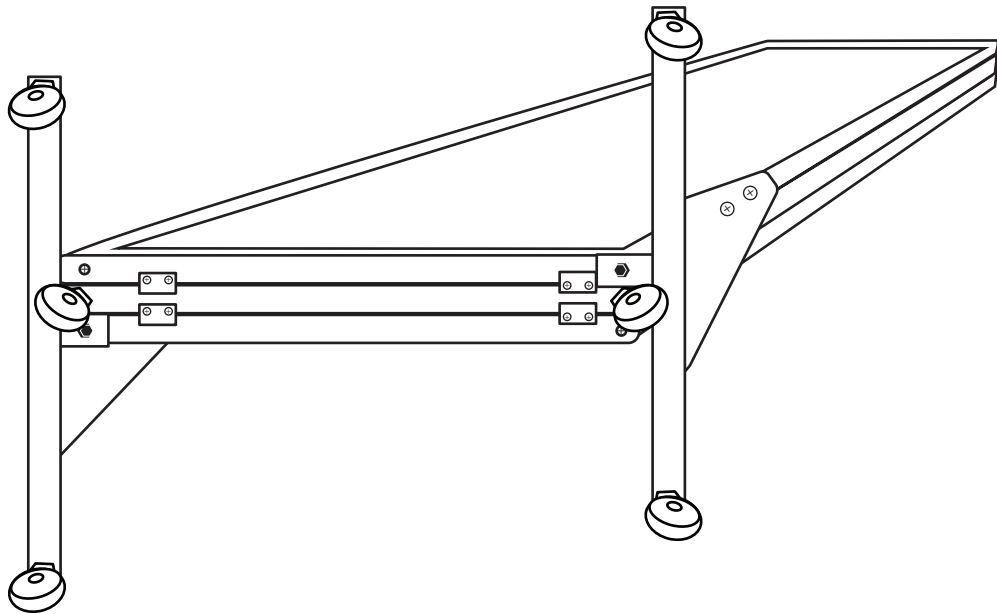


Ph: 9 570 3647

VERSARE

www.versare.co.nz

10 Rakino Way,
Mt Wellington



**All complete!
We hope you enjoy your new
Quick-Wall!**

**If you have any questions on
your Quick-Wall, please
contact us at 09 570 3647 or
Chris@versare.co.nz**

Ph: 9 570 3647

VERSARE

www.versare.co.nz

10 Rakino Way,
Mt Wellington