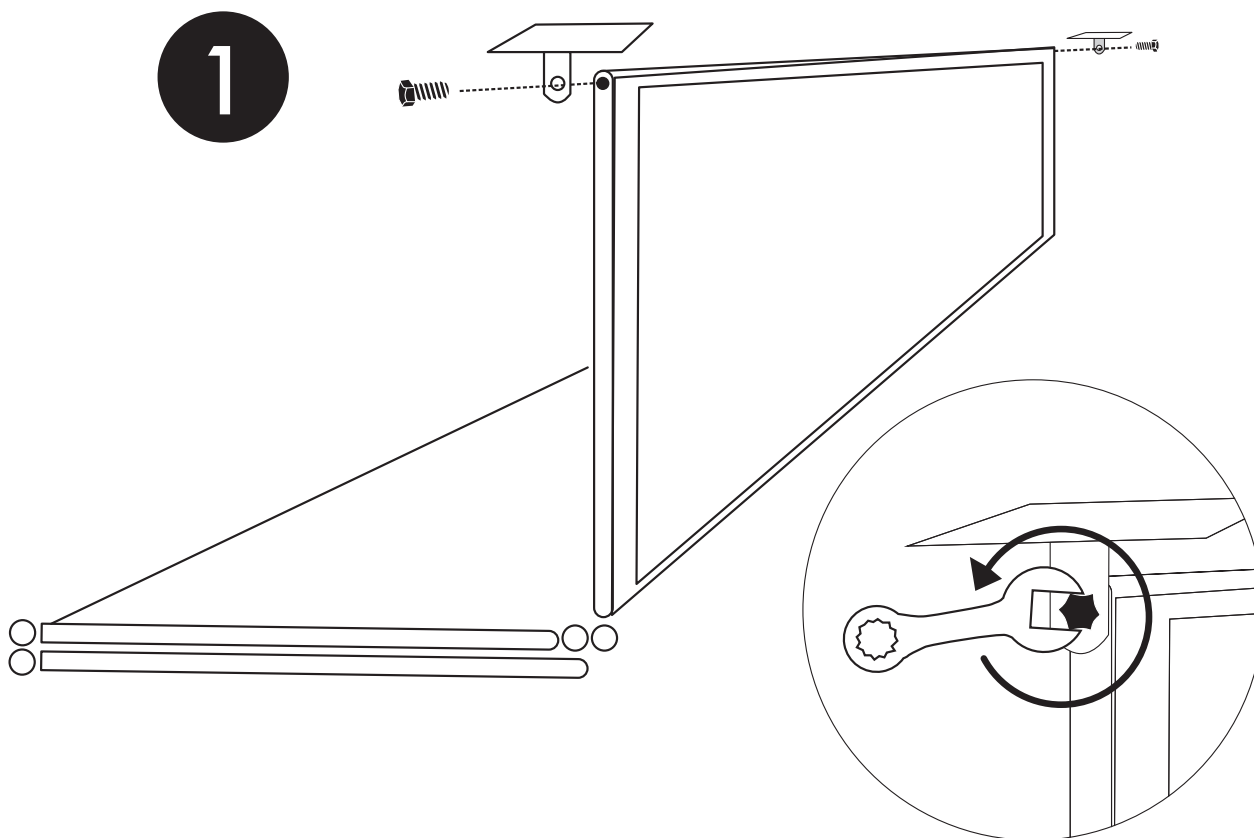
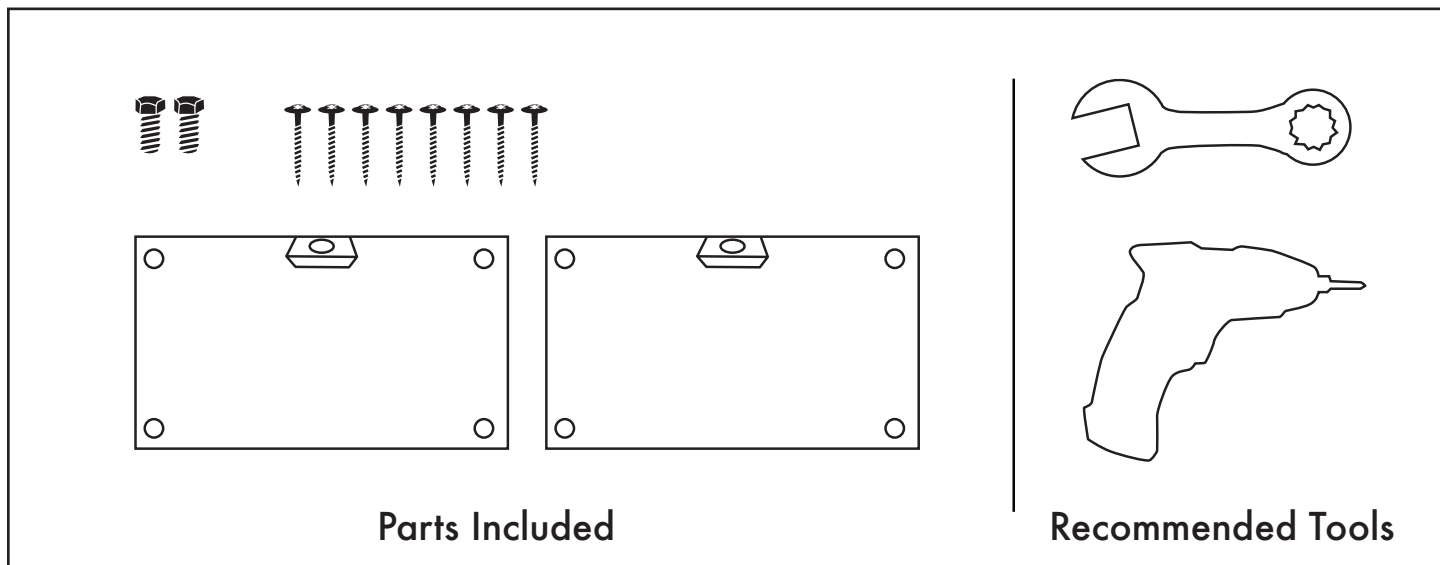
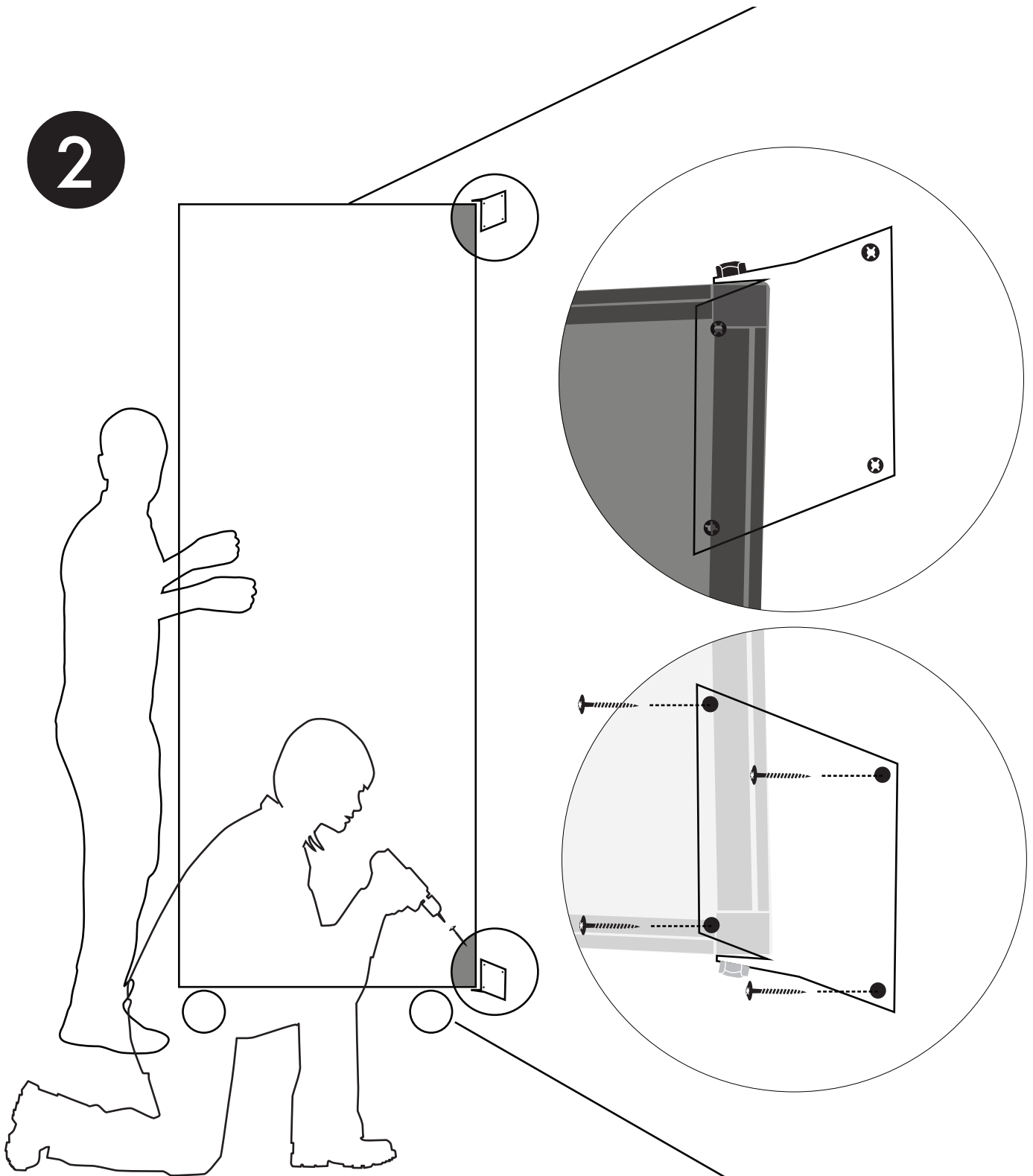


# WALL MOUNT



2



Ph: 9 570 3647

**VERSARE**

[www.versare.co.nz](http://www.versare.co.nz)

10 Rakino Way,  
Mt Wellington

**All complete!**  
**We hope you enjoy your new  
wall mounted Versare product!**

**If you have any questions on your  
wall mounted Versare product,  
please contact us at 09 570 3647  
or [Chris@versare.co.nz](mailto:Chris@versare.co.nz)**