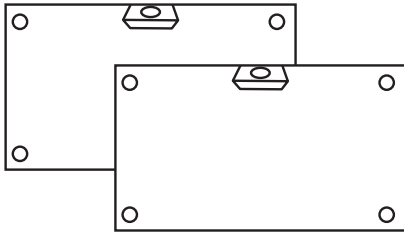
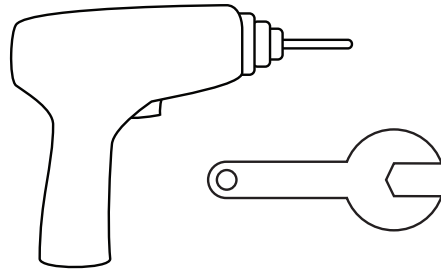


# OPERABLE WALL (Folding)

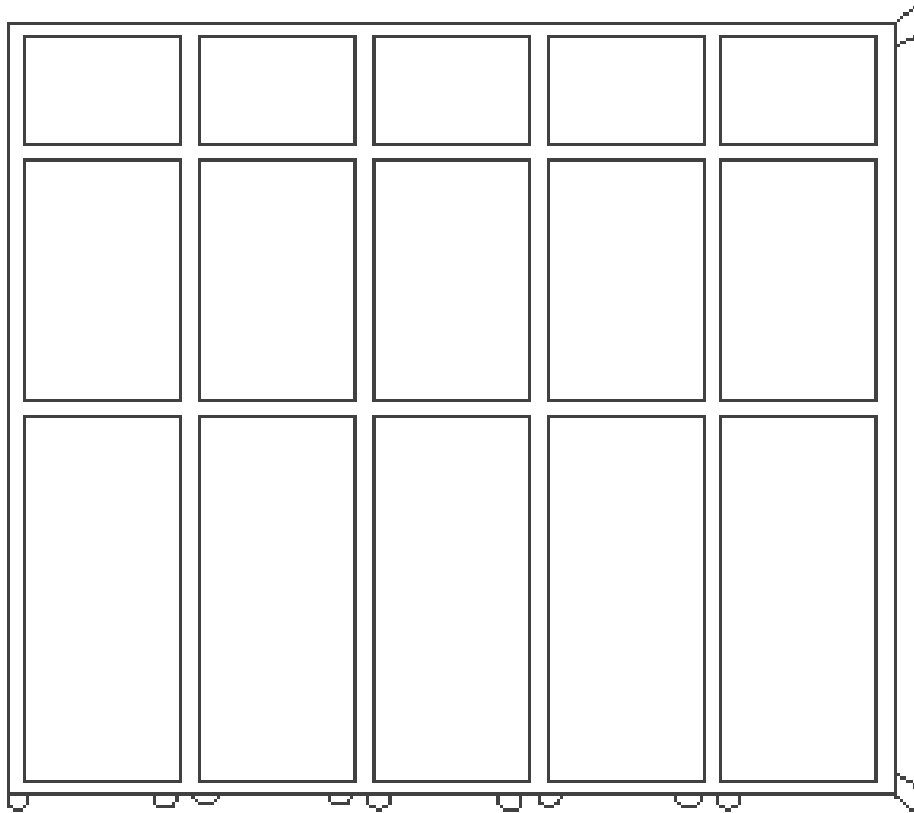
**Note:** You will need to purchase the appropriate hardware for your wall conditions.  
Anchors not included.



Parts Included



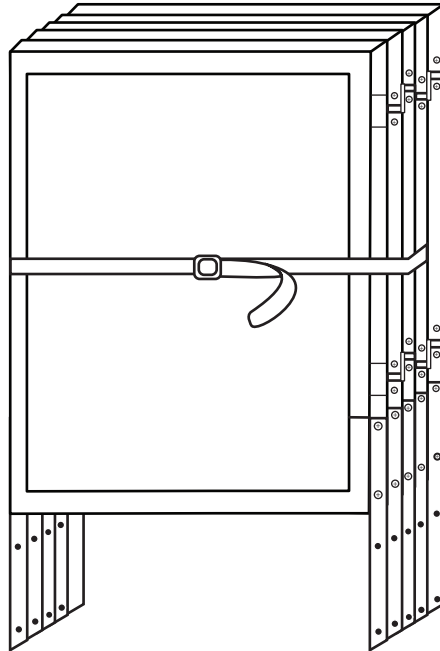
Recommended Tools



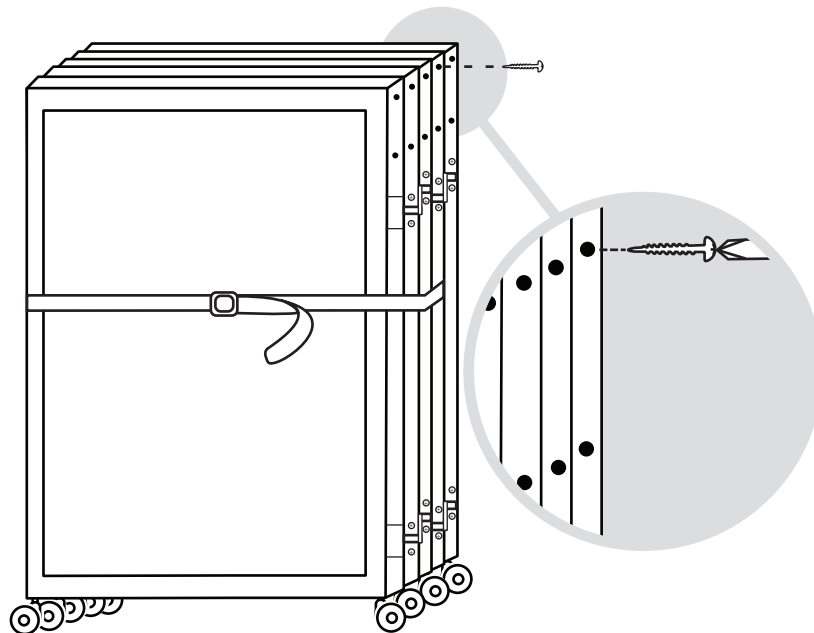
1

Remove screws from bottom panels.

(Top Panels)

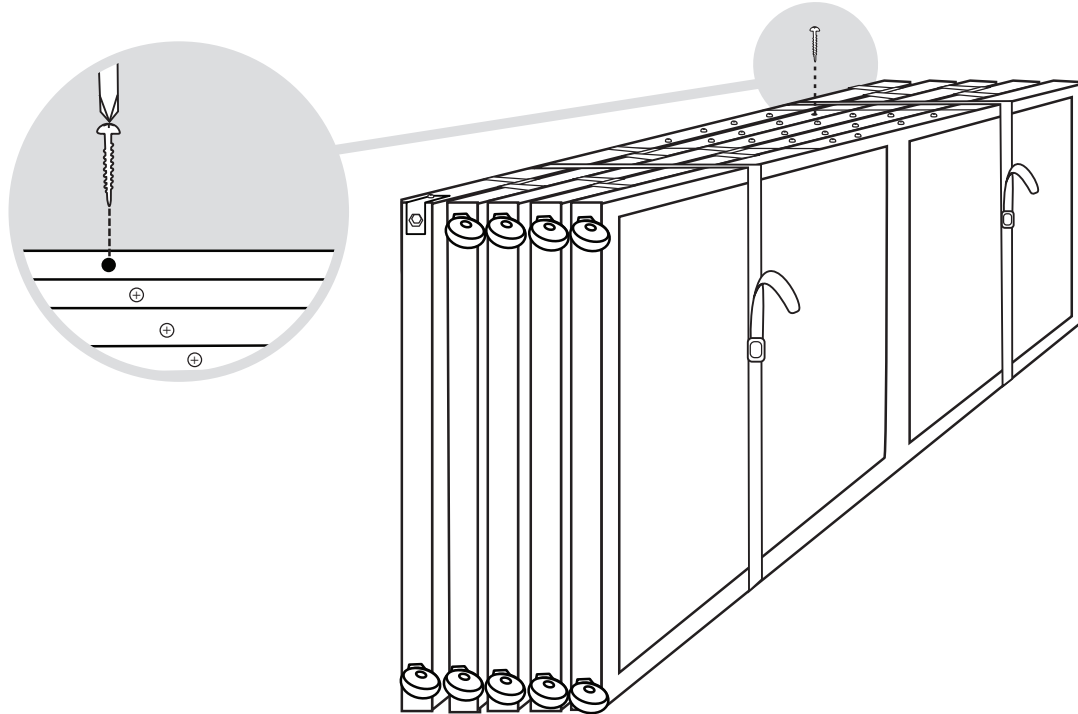


(Bottom Panels)



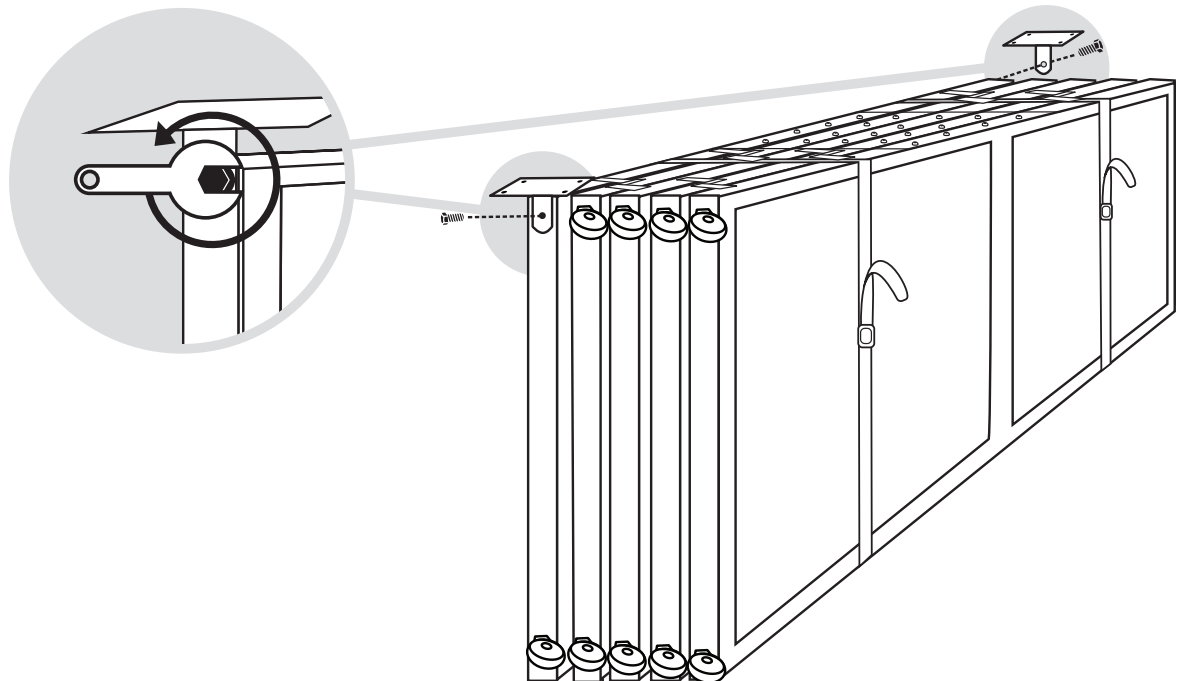
2

Connect top and bottom panels. Then reinsert screws.



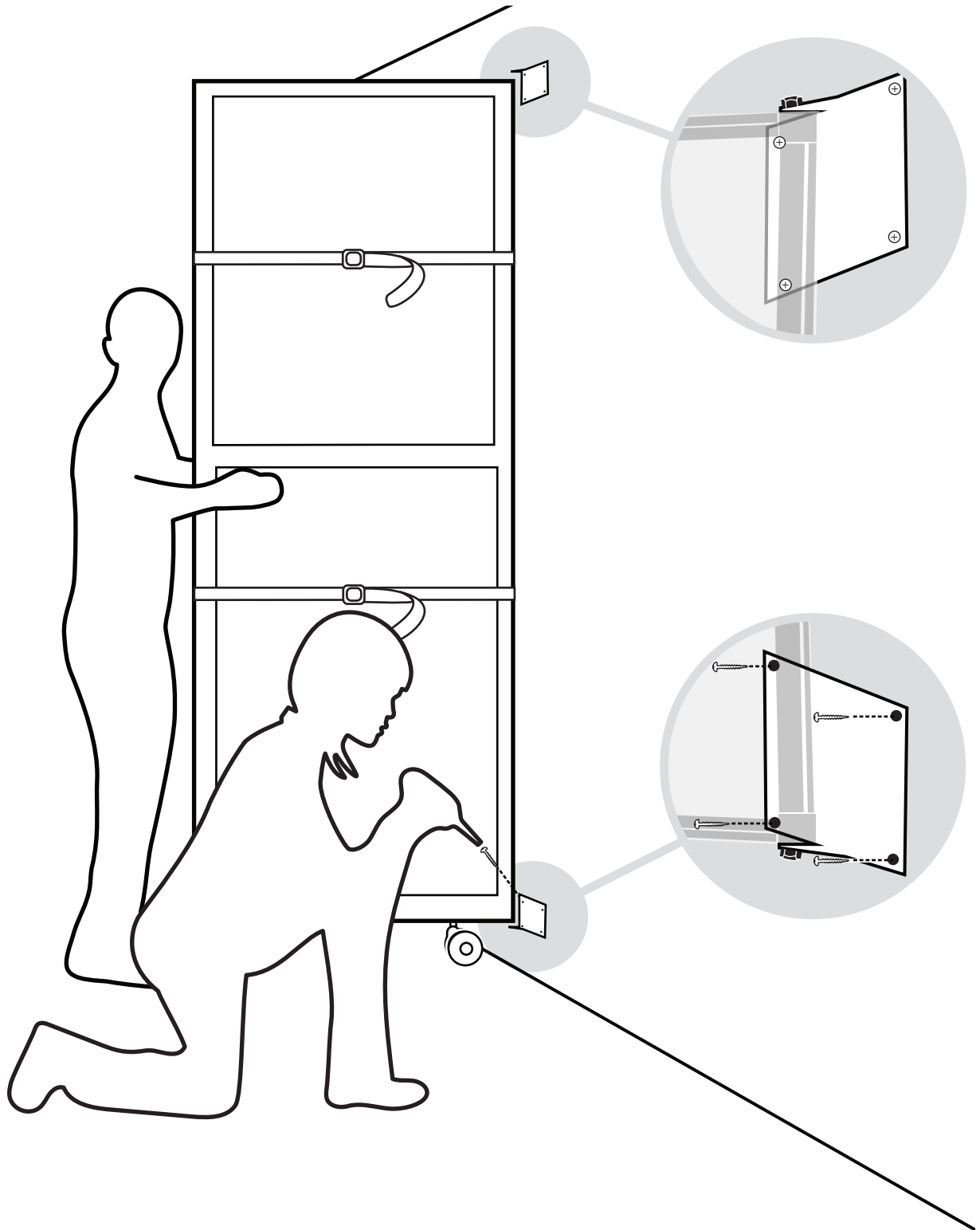
3

Attach wall mount hinges.



4

Stand up the partition and screw hinges onto wall.



Ph: 9 570 3647

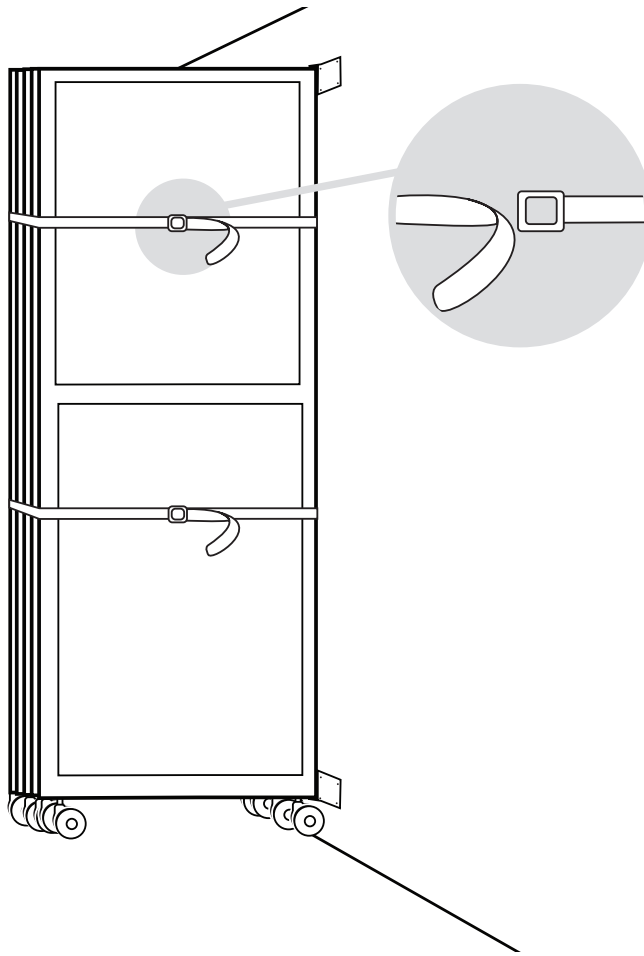
**VERSARE**

[www.versare.co.nz](http://www.versare.co.nz)

10 Rakino Way,  
Mt Wellington

7

Unbuckle straps.



All complete!  
We hope you enjoy your  
new Operable Wall!

If you have any questions on your Operable Wall, please  
contact us at 09 570 3647 or  
[Chris@versare.co.nz](mailto:Chris@versare.co.nz)

Ph: 9 570 3647

**VERSARE**  
[www.versare.co.nz](http://www.versare.co.nz)

10 Rakino Way,  
Mt Wellington