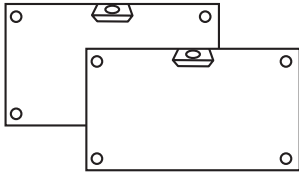
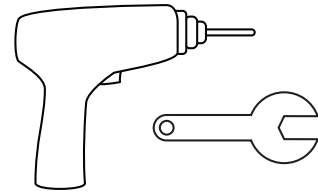
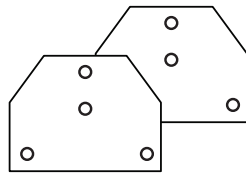


OPERABLE WALL (Sliding)

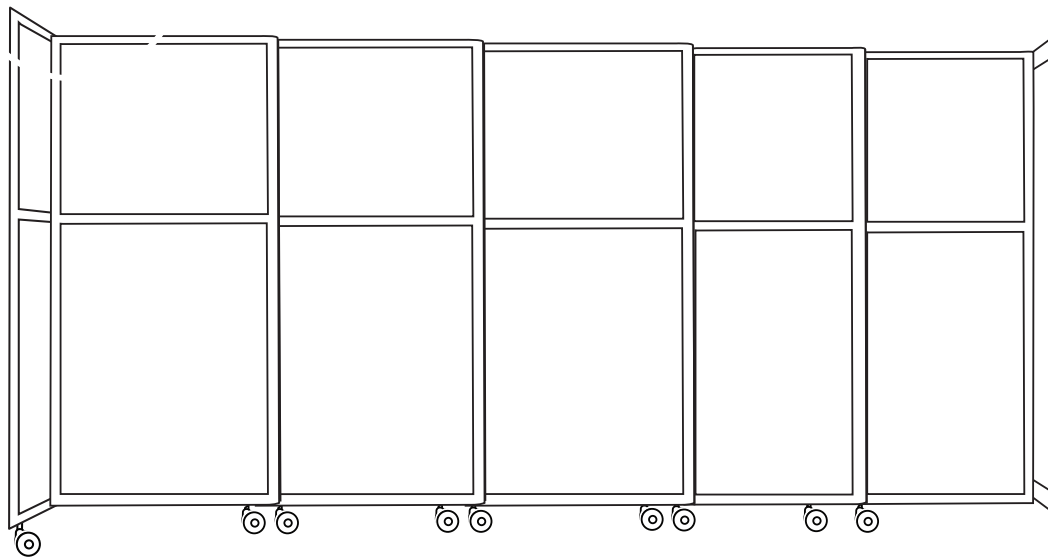
Note: You will need to purchase the appropriate hardware for your wall conditions.
Anchors not included.



Parts Included



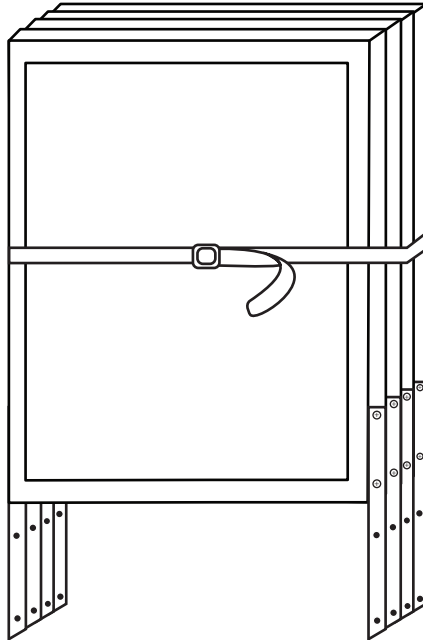
Recommended Tools



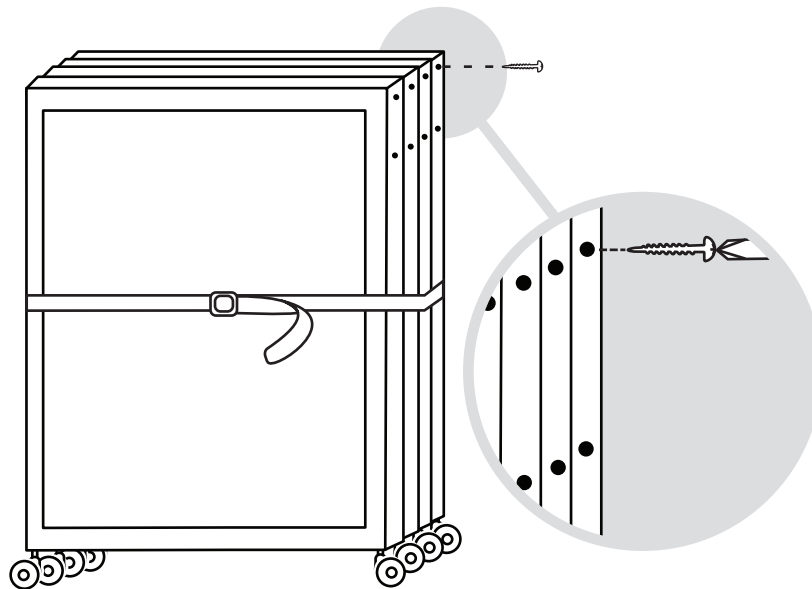
1

Remove screws from bottom panels.

(Top Panels)

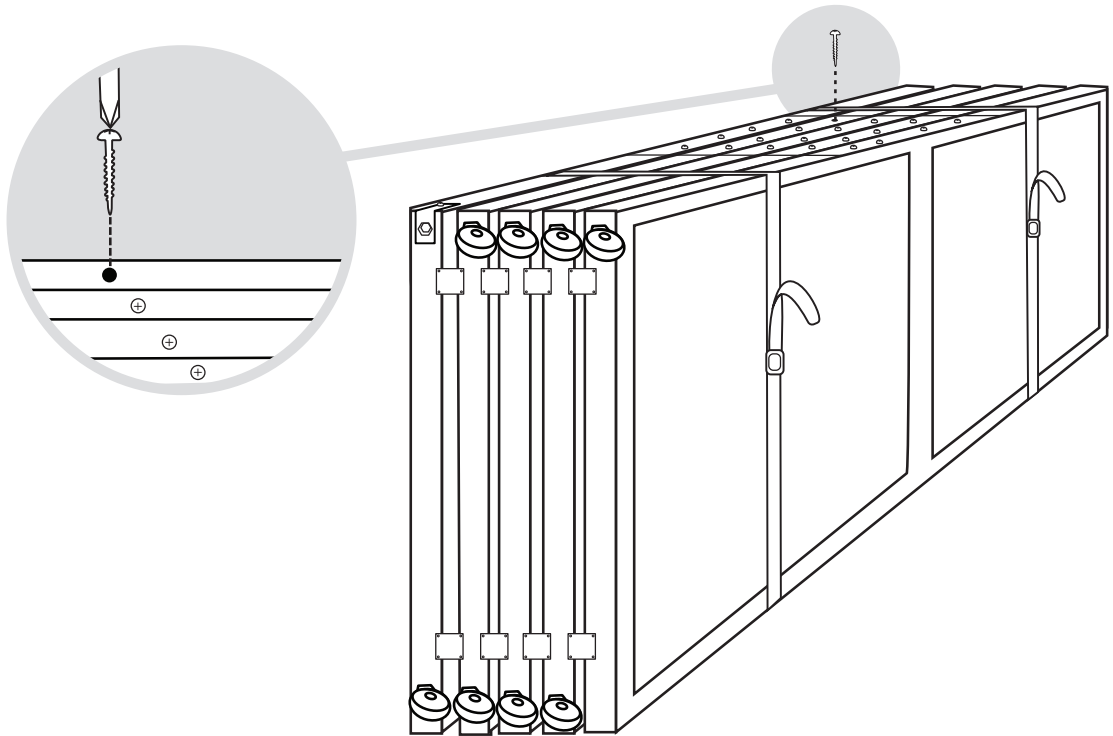


(Bottom Panels)



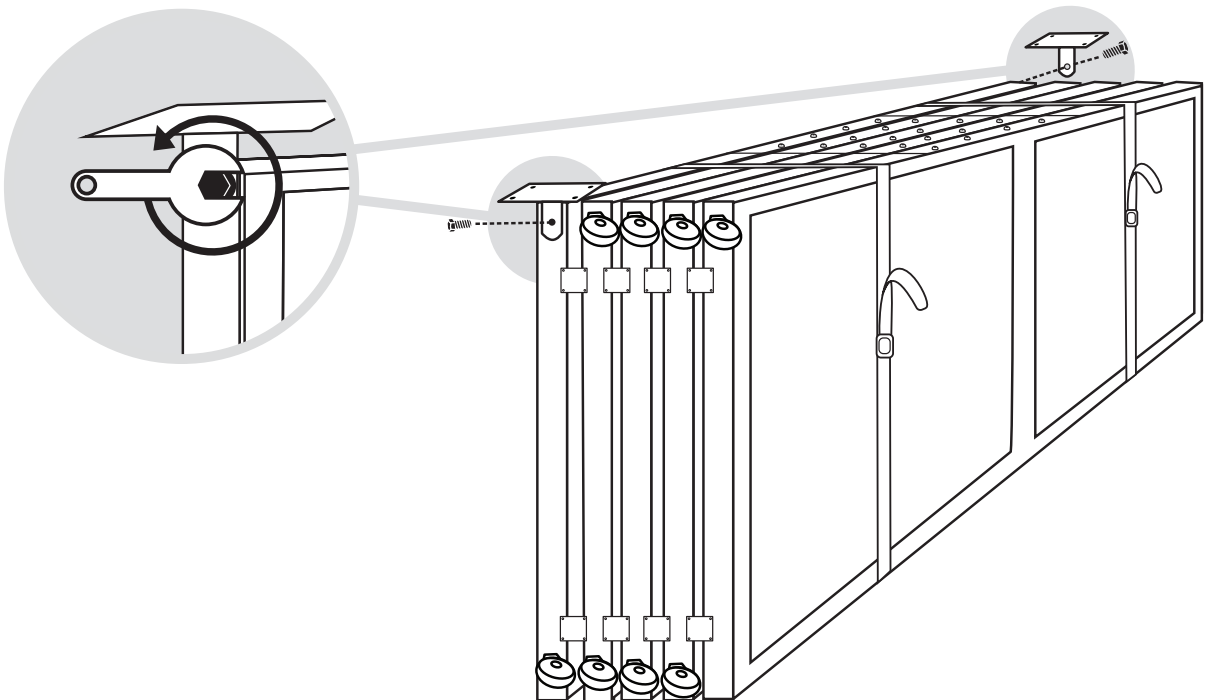
2

Connect top and bottom panels. Then reinsert screws.



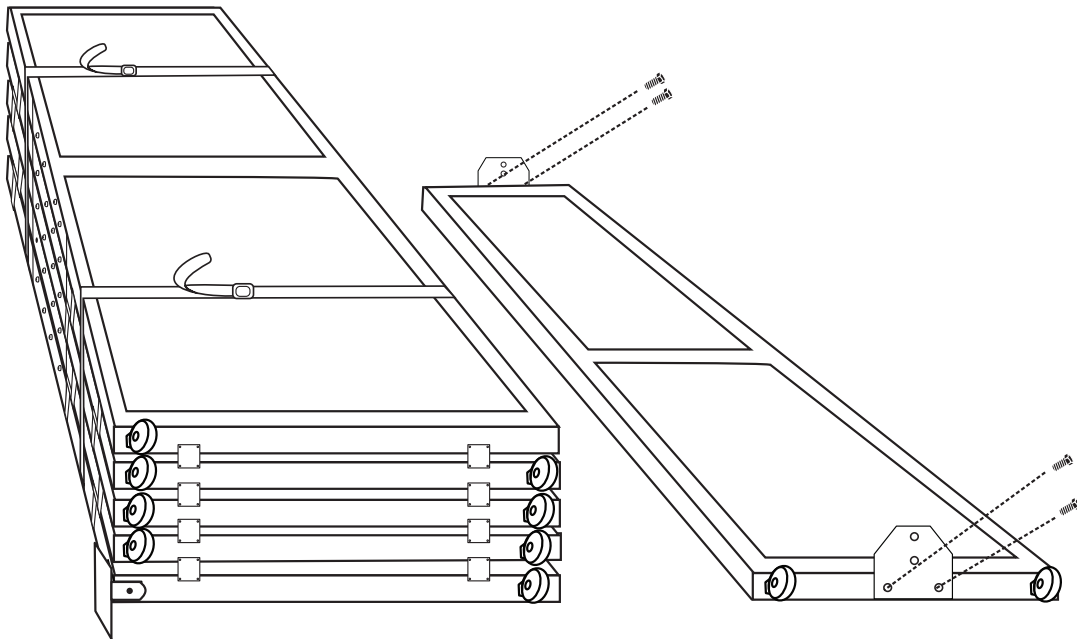
3

Attach wall mount hinges.



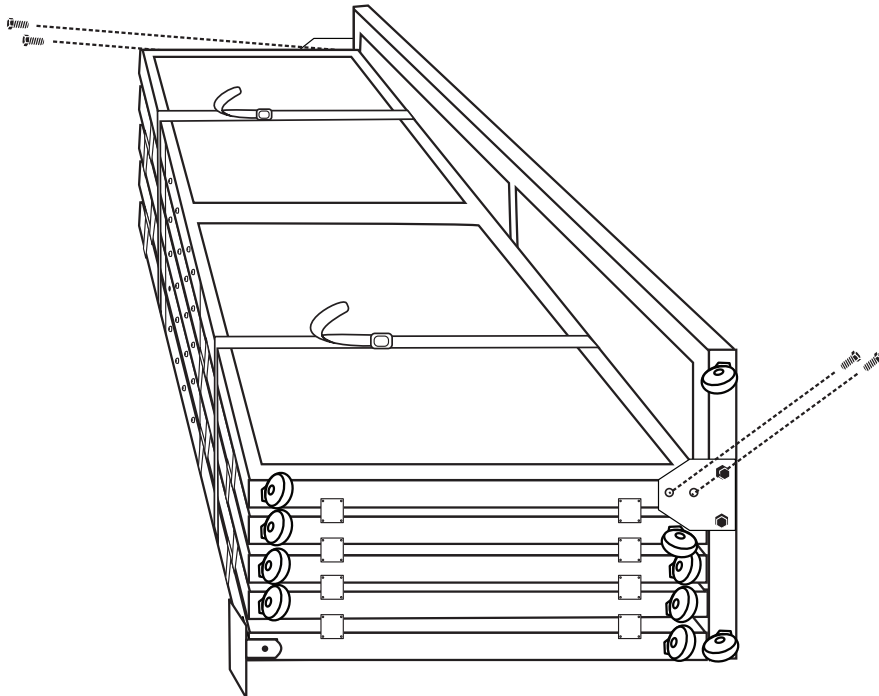
4

Place panels flat on the ground and attach plate loosely to end member panel.



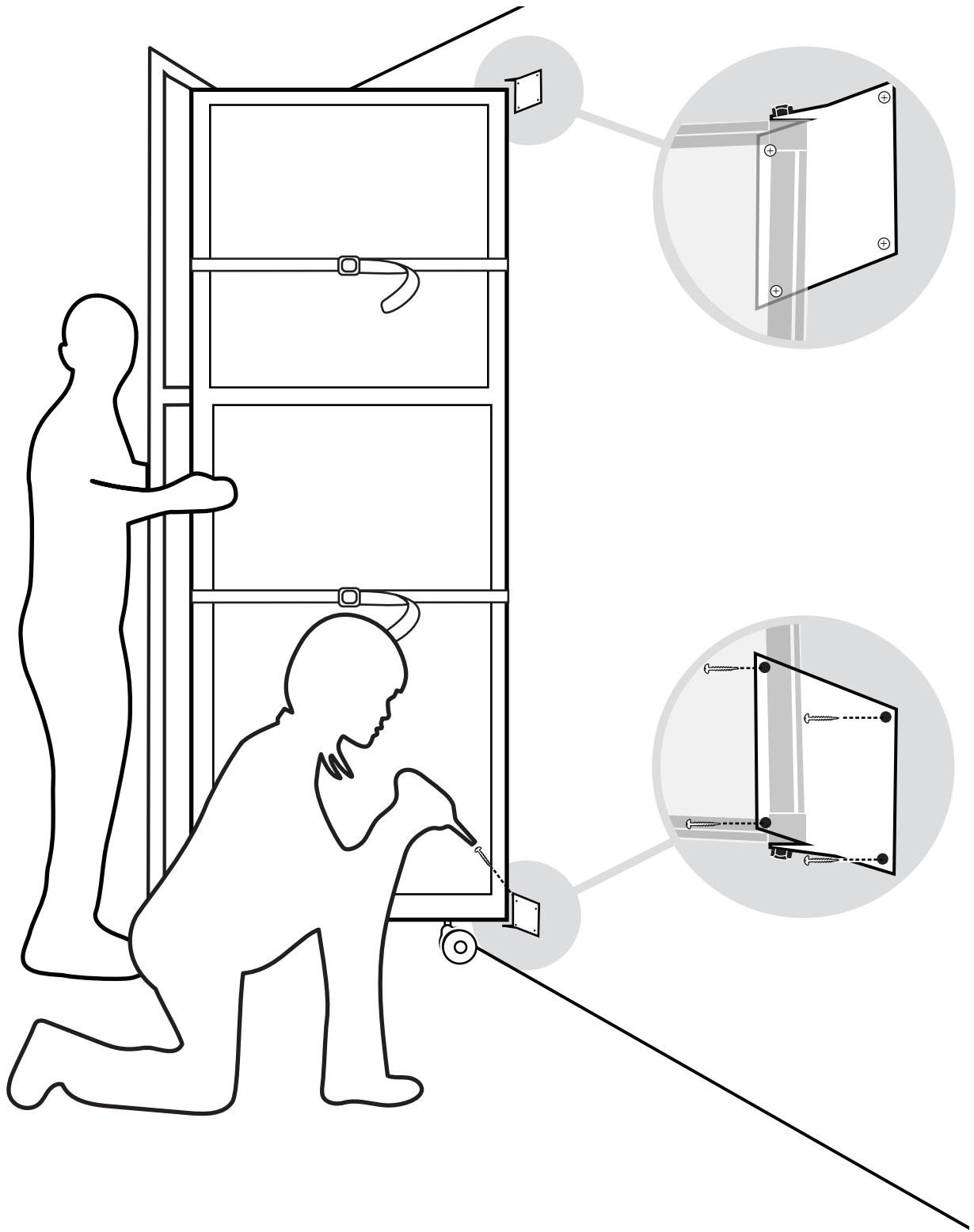
5

Attach end member and plates to the main panels.



6

Stand up the partition and screw hinges onto wall.



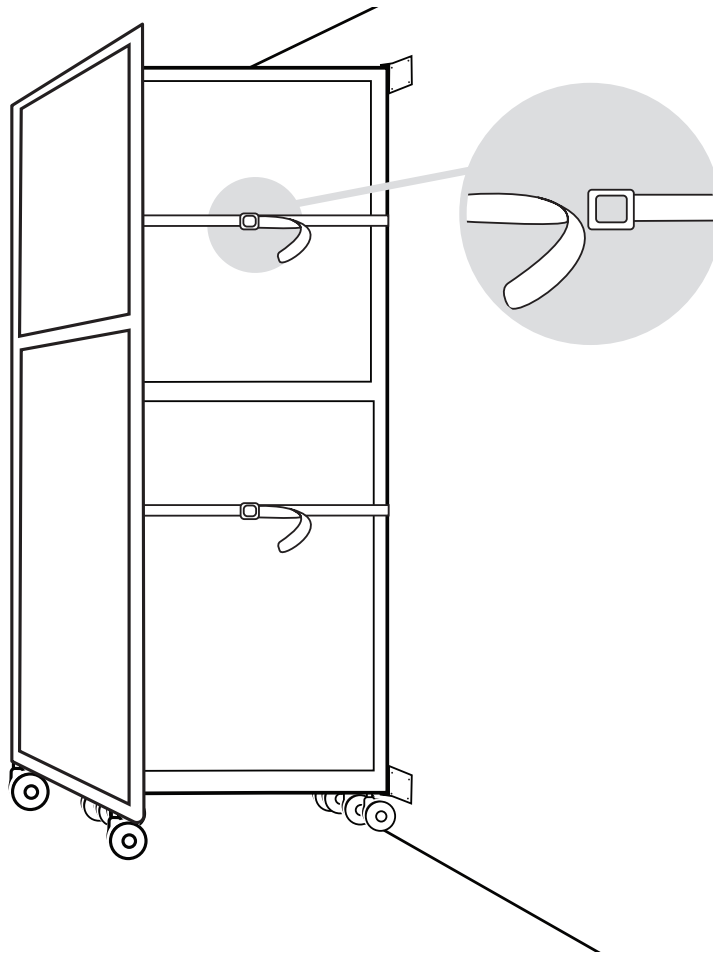
Ph: 9 570 3647

VERSARE
www.versare.co.nz

10 Rakino Way,
Mt Wellington

7

Unbuckle straps.



**All complete!
We hope you enjoy your
new Operable Wall!**

**If you have any questions on your Operable Wall, please
contact us at 09 570 3647 or
Chris@versare.co.nz**

Ph: 9 570 3647

VERSARE

www.versare.co.nz

10 Rakino Way,
Mt Wellington