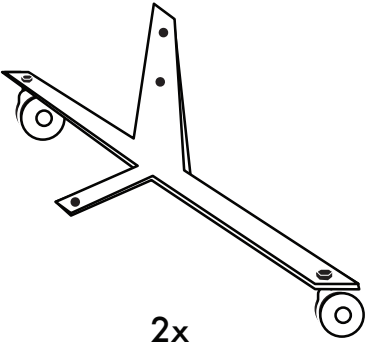



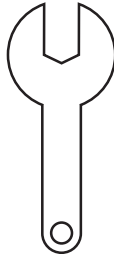
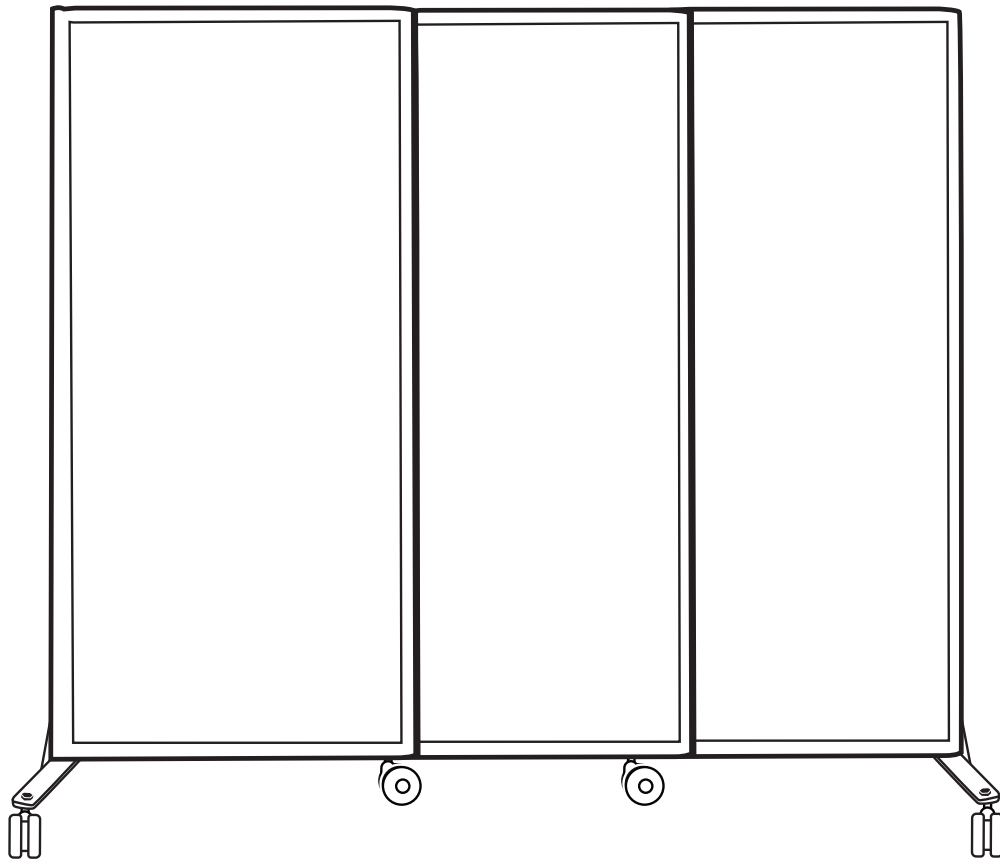


QUICK-WALL (Sliding)

 <p>2x</p> <p>* Screws & bolts arrive attached to partition.</p>  <p>4x</p>  <p>2x</p>	  <p>9/16"</p>
<p>Parts Included</p>	<p>Recommended Tools</p>

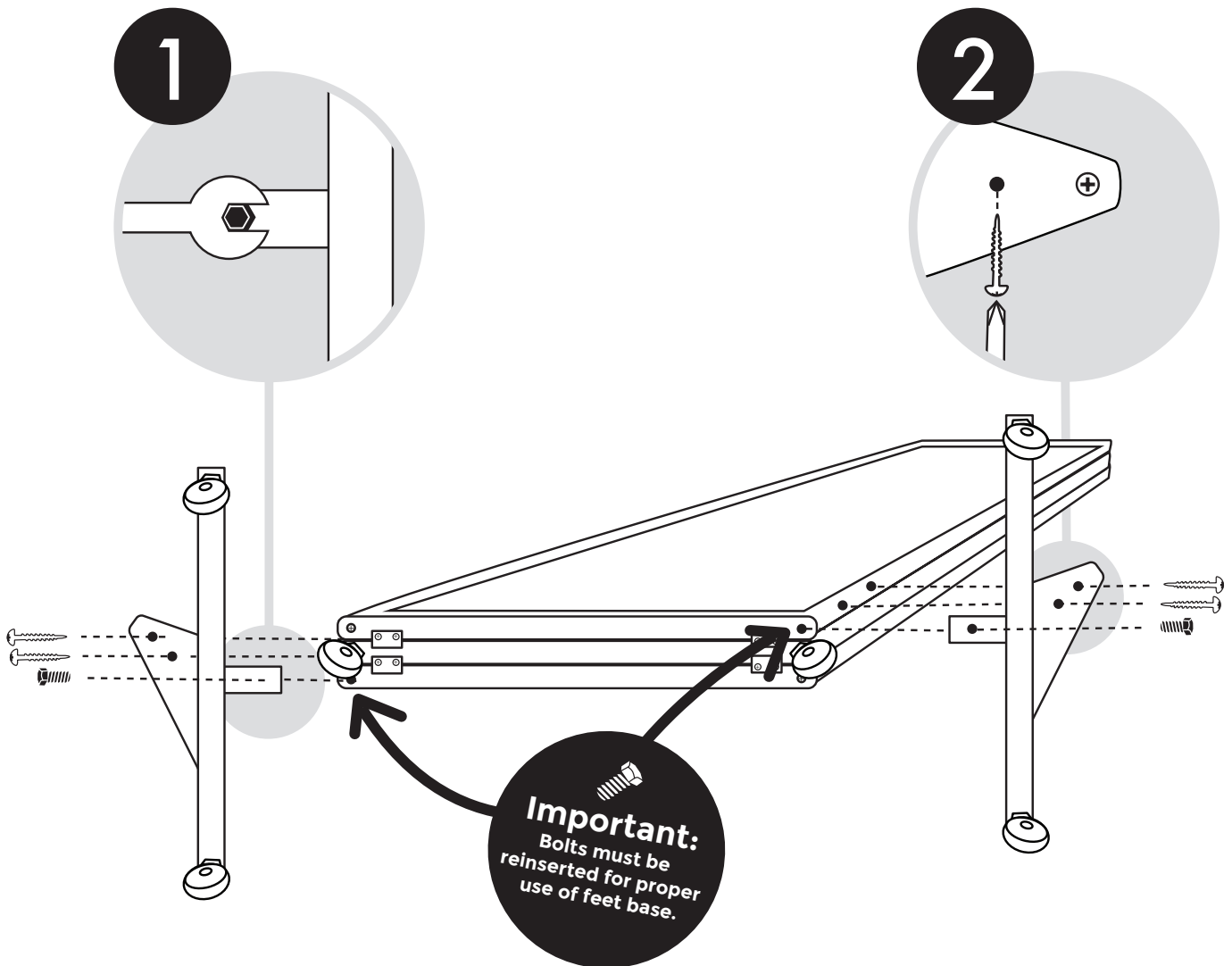


P: 1.800.830.0210
F: 1.800.310.4874

VERSARE
www.versare.com

3236 California St. NE
Minneapolis, MN 55418

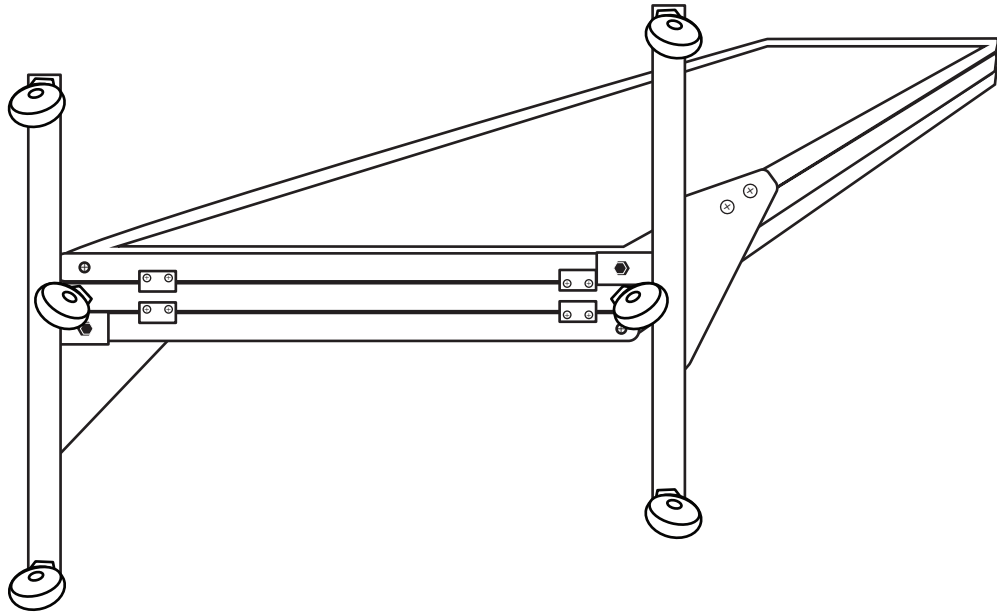
Remove two bolts. Then attach feet base with bolts first, screws second.



P: 1.800.830.0210
F: 1.800.310.4874

VERSARE
www.versare.com

3236 California St. NE
Minneapolis, MN 55418



All complete!
We hope you enjoy your new
Quick-Wall!

If you have any questions on your
Quick-Wall, please contact us at
1.800.830.0210 or
customerservice@versare.com



P: 1.800.830.0210
F: 1.800.310.4874

VERSARE
www.versare.com

3236 California St. NE
Minneapolis, MN 55418